



Canberra Pathfinders

www.canberrapathfinders.org.au



Dear Pathfinders & Parents

Welcome to the start of another year with Canberra Pathfinders. Our enrolment day for members, both new and existing, will be at Canberra National Church on 19 February 2011 at 4.00pm.

Please fill in the attached forms (last 4 pages, one set of forms per pathfinder) and bring them with you on enrolment day. We will only have a small number of blank forms on the day for those without internet access, so please print off your own forms and bring them along.

If parents want to ask any questions about Pathfinders, I will be available throughout the afternoon.

You will need to be 10 years of age before April 30, or in year 5 at school to join the club on enrolment day.

We have some great things planned for the year. A camp at Wombeyan Caves, our regular winter camp, a few social nights, and, a 3 day Expedition organized by the conference.

If you'd like to make the process easier for us we'd love for you to fill out the forms and send them to :

Maryann Nixon
14 Balala Pl
Isabella Plains 2905

Payments can be made via an online funds transfer. Email nixondm@tpg.com.au for the club's account details.

If you have any questions about Pathfinders, feel free to contact me on:

02 62920674

Looking forward to seeing you on enrolment night.

Daryn Nixon

Director – Canberra Pathfinders

INFORMATION

FEES

The Pathfinder Club Fee for this year is **\$70.00**. This includes the cost of meals for all hall nights throughout the year, insurance, badges, honour patches and awards for the year. Club fees are to be paid at or before our meeting - 19 March 2011. Please pay the fees to the Club Treasurer, Matthew Kopka.

For insurance reasons, you must be a paid up member of the club before you can participate in a club outing or camp.

There will, of course, be additional costs for camps, transport, food and other incidentals. These will be advised prior to each camp.

Occasionally there may be a small extra cost for some crafts if we do them throughout the year.

All young people should have the opportunity to enjoy Pathfinders, so if for any reason, there are circumstances that prevent your child/children from coming, such as payment of fees by the due date, please have a chat with our treasurer or one of the directors. We will be more than happy to discuss some other arrangement.

UNIFORM

All pathfinders are required to have a full dress uniform.

Information about the uniform can be found on the enclosed uniform letter.

The uniform is to be worn to all hall nights (unless otherwise informed), to Pathfinder Days and Investitures.

The club has a field uniform shirt which can be purchased from the club. It would be great if everyone had a field uniform for club outings and camps. We'd like everyone to have one, maybe two, for the Camporee in January next year.

Dress uniform shirts / blouses need to be purchased from the ABC at Epping. Please see Karen Tasker for uniform issues, including details about how to contact the Epping ABC.

HONOURS

We will be doing at least two honours as a club this year, in addition to any honours that are done as part of your classwork. Your fees for the year will cover the cost of 2 honour patches, any additional honours patches can be purchased for \$2 per patch from Karen.

Many Pathfinders choose to do additional honours outside of Pathfinders, and we encourage this. However, the attainment of honours is a recognition of skills learned, or knowledge gained, so before we award an honour patch we need to be certain that you have achieved the requirements of that particular honour.

Some ways that you can prove that you have satisfied the requirements are:

- ⑩ Have your school teacher sign off on the list of requirements.
- ⑩ Submit a written report to one of the Pathfinder Directors answering all the questions, or showing a knowledge of all the topics that you need to cover. Like school, we will expect a proper bibliography. One or two references will not be accepted. You need to show that you have properly researched your topic. Copying large sections of text from a website will also not be accepted.
- ⑩ Teach an honour to other Pathfinders at a pathfinder event.

Parents

Signing in and out on Pathfinder Hall Nights

This year, we will continue the practice of signing in your children when you drop them off and signing out when you pick them up.

We, the Pathfinder leaders, are responsible for the care of your children while they are at Pathfinders, and we need to record at what point that care begins and ends.

There will be a *sign in* book at the entrance to the church hall near the youth room.

We ask that you sign your name, and the time that you leave your child in our care, and also sign when you pick them up.

We will take responsibility for your children between 2:45pm and 8:30pm.

If your Pathfinder prefers to get changed into their uniform at church please arrive in time to allow this before we start parade.

We also ask that if you are running late to pick up your children, please be good enough to notify one of the leaders.

For the peace of mind of the leaders and the well being of your children we'd really appreciate your support in this.

PATHFINDER CLUB NIGHTS

Hall nights will be full uniform unless otherwise advised.

TO BE INVESTED IN 2011

Invested

- ⑩ Pathfinders will need to attend 8 Hall nights, which is 75%
- ⑩ Participate in 2 Community Events
- ⑩ Attend 3 camps of which at least one must be a Conference camp/hike
- ⑩ Complete 2 Honours
- ⑩ Learn 10 Bible texts (supplied)

Invested – Advanced

- ⑩ Pathfinders will need to attend 9 Hall nights, which is 90%
- ⑩ Participate in 2 Community Events
- ⑩ Attend 4 camps of which at least one must be a Conference camp/hike
- ⑩ Complete 5 Honours
- ⑩ Wear regular FULL UNIFORM as required for hall nights
- ⑩ Learn 15 Bible texts (supplied)

Master Guide to complete the Master Guide program and attend PLA

CALENDAR

The Pathfinder calendar has the dates of all activities, planned for this year. Any changes will be notified. The calendar is also available on our website at canberrapathfinders.org.au.

CAMPOUTS

We are planning a number of campouts where skills such as camping and a variety of outdoor skills will be learned and put into practice.

Pathfinder families are more than welcome to come along and enjoy campouts. Non-pathfinder children, however, need to be the responsibility of their parents due to insurance issues.

Please do not hand in your camp application forms after the due date. We set the deadlines because we need to notify a number of parties prior to organising a camp. Please do not ask us to accept late camp applications. It's hard to say no.

For safety and consideration of others the code of conduct will apply to everyone on a club camp.

FEEDBACK

If you wish to discuss anything to do with Pathfinders, please have a chat with one of the leaders or contact **Daryn Nixon**

UNIFORM INFORMATION

Dear Pathfinder Parents

The Pathfinder uniform helps make the Pathfinder program real and visible. It is emblematic and representative of the worldwide ideals and standards of Pathfinders. Each individual member becomes a very vital representative, and wearing the uniform will help to provide a consciousness of belonging to a club that rightly represents the Pathfinders of today. If the uniform is worn as everyday clothing, it will have failed in its purpose.

The uniform should always be neat and clean. Wearing it commonly for ordinary play or work lowers its dignity. The Pathfinder club program should be so valuable to each member that the uniform will be acquired and worn with enthusiasm.

It is recommended that uniforms be worn on the following occasions:

- Regular Pathfinder meetings.
- Any public gathering when any or all act as ushers, guard of honour and colour guards.
- When specified by Pathfinder director.
- Special Pathfinder services such as, Pathfinder Day and Investiture.
- While engaging in outreach activities, collecting for ADRA Appeal, distributing food parcels, flowers, literature etc.

Below is the uniform requirement of each Pathfinder and Staff member. Please ensure your Pathfinder has a full uniform.

MEN AND BOYS

- Long-sleeved green Pathfinder shirt
- Shoulder epaulettes for those in the Ranger, Voyager and Guide classes
- Shoulder epaulettes with stripes for staff
- Black tie (optional on hall nights)
- Yellow scarf and Pathfinder woggle for Pathfinders
- Red scarf and Pathfinder woggle for staff
- Black sash
- Black Dress Trousers or plain Black Jeans (no logos or advertising)
- Black shorts for summer
- Black webbing style belt with Pathfinder emblem buckle
- Runners or black leather shoes

WOMEN AND GIRLS

- White short-sleeved Pathfinder blouse
- Shoulder epaulettes for those in the Ranger, Voyager and Guide classes
- Shoulder epaulettes with stripes for staff
- Black tuxedo tie (optional on hall nights)

- Yellow scarf and Pathfinder woggle for Pathfinders
- Red scarf and Pathfinder woggle for staff
- Black sash
- Black Dress Trousers or plain Black Jeans (no logos or advertising) or Black Skirt
- Black shorts for summer
- Black webbing style belt with Pathfinder emblem buckle
- Runners or black leather shoes

Due to our cold winters in Canberra it is advised that all Pathfinders wear a Plain **Black** jacket over their uniform. Thermals may also be worn under the uniform so long as they are not showing.

Field Uniform

Club T-shirt (with Pathfinder emblem and club symbol)

Shorts, jeans as appropriate.

Along with the pride of wearing a uniform there is the correct placement of insignia / badges.

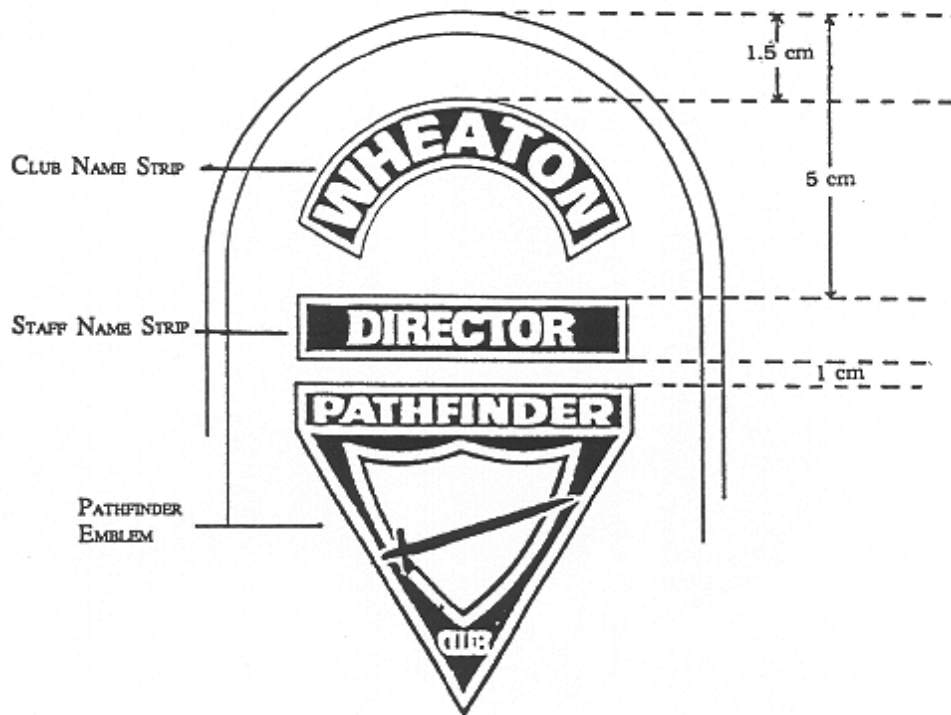
Below you will find the correct placement, please ensure all insignia / badges are in the correct position. If we can all be the same that will help with unity, and the consistency in our appearance will show when we are out in the community and at Camporee time.

Parents, your help with this matter would be greatly appreciated.

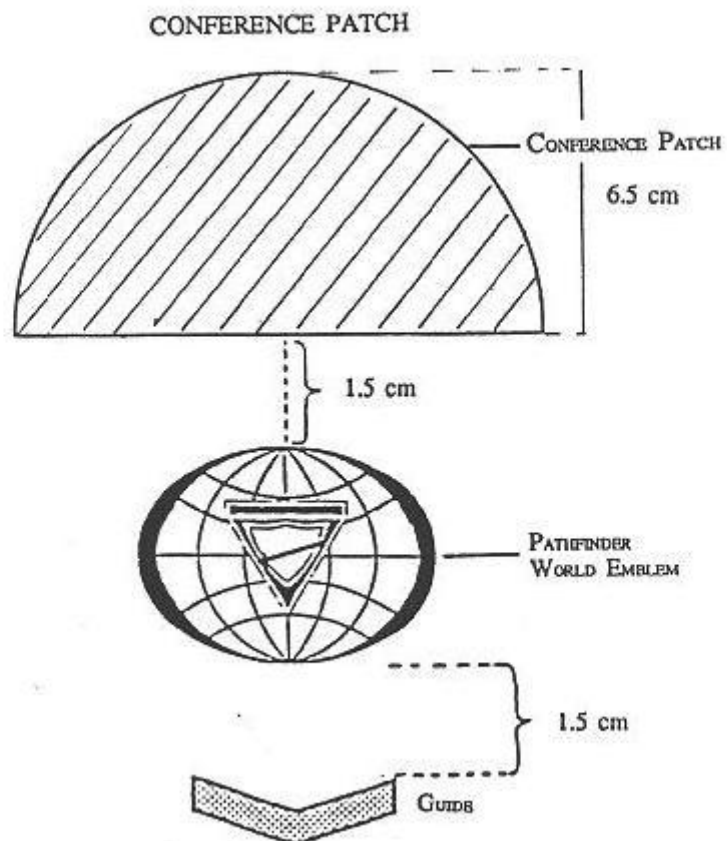
Regards

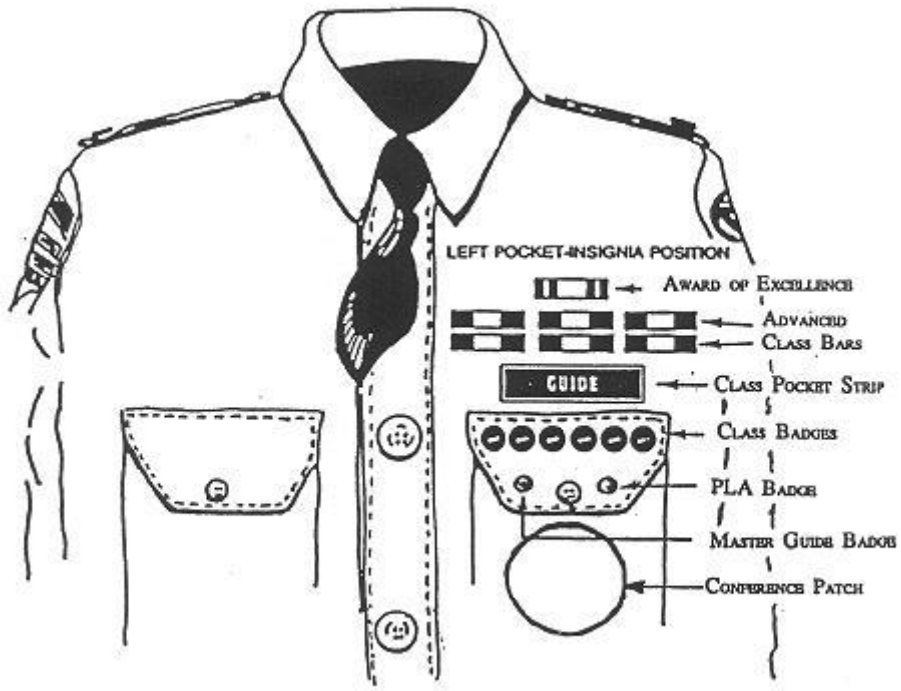
Daryn Nixon – Director

RIGHT SLEEVE



LEFT SLEEVE





Code of Conduct – Pathfinders

The Pathfinder club is a church-centred spiritual-recreational program designed for young people ten to fifteen years of age (and/or Year 5 to Year 10 or equivalents). Pathfinding appeals to this age group because its program features activities that meet their needs and interests. It is filled with action, adventure, challenge and group activities, and provides opportunities for the development of new attitudes and skills that produce personal growth, team or community spirit and a sense of loyalty and respect for God, His creation and His church.

The purpose of Pathfinding is to encourage the spiritual, physical, mental, and social development of young people. This is achieved by the example and guidance of dedicated men and women who help the Pathfinder members in the fulfillment of the Pathfinder Pledge and Law, so they become constructive and responsible citizens.

This Code of Conduct is expected of all Pathfinders.

Pathfinders shall:

- ⑩ **Have Respect for God**
- ⑩ **Act at all times in accordance with Pathfinder principles, set out in the Pathfinder Pledge and Law.**
- ⑩ **Respect the dignity of themselves and others.**
- ⑩ **Wear suitable and modest dress.**
- ⑩ **Refrain from offensive language.**
- ⑩ **Respect all other Pathfinder members and Leaders.**
- ⑩ **Demonstrate a high degree of individual responsibility, recognising that at all times their words and actions are an example to other members and the Community.**
- ⑩ **Act in consideration and good judgment in all interpersonal relationships, both inside and outside Pathfinders.**
- ⑩ **Respect everyone's right to personal privacy at all times. They should take special care with sleeping, changing of clothes, bathing and ablutions that are associated with any Pathfinder activity.**
- ⑩ **Realise that bullying, physical and verbal abuse, neglect or any other type of abuse is unacceptable conduct by any member.**
- ⑩ **Refrain from bringing any electronic device, phones, electronic games etc to any Pathfinder organized event or meeting unless by prior arrangement with the director.**
- ⑩ **Not use Tobacco, alcohol and drugs.**
- ⑩ **Participate in all activities.**



Canberra Pathfinders

www.canberrapathfinders.org.au



Calendar 2011

Black = Club Events		Red = Conference Events	
February		March	
5		5	
11,12,13	PLA	12	
19	Planning Meeting 2pm & Enrol 4pm	19	Hall 3 – 8.30
26		26	
April		May	
1,2,3	Camp	7	Hall 3 - 8.30pm
9		14	
16	School Holidays	21	
23	School Holidays	28	Hall 3 - 8.30pm
30	School Holidays		
June		July	
4		2	Hall / Honour Night 3 – 8.30pm
11		9	School Holidays
18	Hall / Honour Night 3 – 8.30pm	16	School Holidays
25		23	School Holidays
		30	
August		September	
6	Hall 3 - 8.30	3	Hall 3 – 8.30pm
2,13,14	Winter Camp	10	
20		17	
27		24	Hall 3 - 8.30pm
October		November	
1, 2, 3	XPD	5	
8	School Holidays	12	Hall 3 - 8.30pm
15	School Holidays	19	
22	Hall 3 – 8.30pm	25, 26, 27	Camp
29			
December			
3			
10	Investiture		
17			
24	Holidays		

Applicant (Pathfinder) One form per pathfinder

Family Name _____ Date of Birth _____

Given Names _____

Address _____ Post Code _____

_____ Parents Phone - Home _____ Work _____ Mobile _____

Pathfinders Phone - Home _____ Mobile _____

Parent/Guardian Email _____

Pathfinder Email _____

School _____ Year _____

Church _____

I wish to join the Canberra Pathfinder Club.

I will attend meetings, hikes, camps, field trips, and other club activities as required.

I agree to abide with the club's **Code of Conduct** (see Enrolment Pack) and the Pathfinder **Pledge and Law**.

Pathfinder's signature _____ Date _____

Parents

We have read the Enrolment Pack and certify that _____ (Pathfinders Name) has reached the age of ten or over (or is in year 5 or above). We would like our child be involved in the Canberra Pathfinder Club.

As parents/guardians, we understand that the Pathfinder Club program is an active one for the applicant. It involves many opportunities for service, adventure and fun. As parents, we will co-operate by:-

1. Learning how we can assist our child and the Club leaders.
2. Encouraging our child to take an active part in all of the activities.
3. Attending activities to which parents are invited.
4. Assisting the club leaders if called upon.
5. Ensuring that my child/children wear the full dress uniform as required.
6. Agreeing to the clubs Code of Conduct and rules.

_____ Date _____

Signature of Parents/Guardians

MEDICAL INFORMATION – CONFIDENTIAL

Family Name..... Given Names.....
 Date of Birth.....
 Address..... Suburb.....
 State..... Postcode.....
 Phone..... Mobile.....
 Email.....
 Person to contact in an emergency.....
 Contact Phone.....
 Family Doctor.....
 Contact Phone.....
 Medicare Number..... Expiry Date.....
 Ambulance Membership Number..... Health Fund.....

If you tick yes to any of the following please supply more information on a separate sheet.

Condition	Yes	No	Condition	Yes	No	Condition	Yes	No
Heart Problems			Respiratory Problems			Operations		
Travel Sickness			Phobias			Recent Illness		
Migraines			Blackouts			Asthma		
Fits, Epilepsy, etc			Any restricted activities			Diabetes		
Drug Reactions			Regular Medication			Allergies		
Any Disability			Other					

Child's Last Tetanus Booster (year).....

My child is a non average good swimmer and I give my permission for him/her to swim under supervision YES NO

Do you consent to your child receiving paracetamol eg. Panadol, Dymadon for temporary pain relief, high temperature or fever? YES NO

Authorisation & Agreement:

In the event of accident or illness, I/We also authorise the Event Director to consent, where it is impractical to communicate with me/us, to my/our child/children receiving any x-ray examination, anesthetic, medical, surgical or hospital treatment as may be deemed necessary by a licensed physician and/or surgeon. I/We also authorise to engage such treatment. I/We agree to pay the appropriate fees for such and any ambulance or other emergency transportation costs, which may be required. I/We agree to meet the expense of my child/children being returned home, by the director or leaders accompanying him/her. I/We understand that such an arrangement may be necessary due to illness, injury, or if, in the opinion of the Event Director, non-cooperation of any description or the inability to meet the rigours and requirements of the activity by my/our child/children.

I/We agree to my/our child/children attending the Event on this understanding.

Signature..... Date.....

Photo Consent

As you are aware, there are potential dangers associated with the posting of personally identifiable information on a web site since global access to the Internet does not allow us to control who may access such information. Please fill out and sign the appropriate statement to either give or to decline permission to use photos of you and/or of your children on the Canberra Pathfinder Club website (www.canberrapathfinders.org.au). Please return this form to the Pathfinder Director.

To GRANT permission to use my picture

I, _____ (Please print your name) GRANT permission for the Canberra Pathfinder Club to publish pictures of me on the website. I understand that if I give notice to the Director or Webmaster that I object to any particular picture on the website, it will be removed as soon as possible. Publication of these photos may include names for identification purposes unless I write in here that I do not give permission for my name to be used.

SIGNED _____ Date - _____

To GRANT permission to use your child/children's pictures

I, _____ (Please print your name) GRANT permission for Canberra Pathfinder Club to publish pictures of my child, _____ (Please print child or children's names) on the Clubs website. I further state that I have the right to give this permission as I am the child's parent or legal guardian. I understand that if I give notice to the Director or Webmaster that I object to any particular picture on the website, it will be removed as soon as possible. Publication of these photos may include names for identification purposes unless I write in here that I do not give permission for my name to be used.

SIGNED _____ Date - _____

To REFUSE permission to use my picture

I, _____ (Please print your name) REFUSE to grant permission for Canberra Pathfinder Club to publish pictures of me on the clubs website. Any pictures which include a recognizable picture of me may not be used unless I change this statement with particular written permission to the contrary for that instance.

SIGNED _____ Date - _____

To REFUSE permission to use my child/children's pictures

I, _____ (Please print your name) REFUSE to grant permission for Canberra Pathfinder Club to publish pictures of my child, _____ (Please print child or children's names) on the clubs website. I further state that I have the right to give this permission as I am the child's parent or legal guardian.

SIGNED _____ Date - _____

Parents Help

As you know we are about to start a new Pathfinder year. I am sure you are all aware that Pathfinders does not “**just happen**”. It is here because parents and other adults want to give young people the special opportunities for the personal and leadership development that Pathfinders offers. From learning new hobbies, arts and crafts, outdoor skills, or ways of leading in worship, ***Pathfinders needs your help!*** With your help we can work together to offer many of these skills and more.

Please tick the ways you would be willing to help this year. **We strongly encourage parents to be involved in one way or another, sometime throughout the year!**

I can help with Pathfinders in the following way this year.

Name: _____

Telephone: _____

Requires Occasional Involvement			
Honours / Crafts			
Transportation for Camps			
Help on Camps			
Transport for Activities			
ADRA Appeal			
Hall Night Desserts			
Tow a trailer to a camp			
Other			

Please return to:

Daryn Nixon - Director